

## Features

- Lifting Height of up to 5.60 m
- Maximum capacity of 2,500 kg
- Clear View cab provides all round vision
- Audio-visual Load Stability indicator
- Mechanical Quick-switch coupler for efficient attachment changes
- Four-wheel steering - Front wheel, Co-ordinated and crab.
- Hydrostatic Transmission
- Four wheel drive
- 45% gradeability.

## Performance

**Maximum Lift Capacity**  
2,500 kg

**Capacity at full height**  
2,000 kg

**Maximum Forward Reach**  
3.30 m

**Capacity at Maximum Forward Reach**  
800 kg

**Lifting Height**  
5.60 m

**Reach at Maximum Height**  
0.70 m

**Break-out force with standard bucket**  
36 kN

**Drawbar Pull (loaded)**  
3946 kg

**Carriage Rotation**  
125°

## Standard Specifications

**Engine**  
Perkins 1104D-44T, 62.6kw @ 2200 rpm.  
4.4 litre, turbocharged, liquid cooled  
EPA T3, EEC Stage IIIA compliant.  
97L Fuel Tank  
9.8.L Engine Oil  
15.1L Coolant

**Hydraulic System**  
Gear Pump 84 l/min

**Transmission**  
Hydrostatic

**Drive**  
Permanent 4 wheel drive

**Steering**  
4 WS/Front Steer/Crab Steer

**Parking Brakes**  
Wet multi disc

**Tyres**  
12 x 16.5

## Accessories & Options

- Battery disconnect switch
- Work lights
- Skylight/rear wiper
- Radio ready kit
- Tow hitch
- Front screen guard
- Air conditioning
- Hydraulic quick switch
- Rear auxilliary hydraulics
- Special paint
- Universal skid steer coupler
- 14 x 17.5 tyres
- Foam Filled Tyres

## Attachments

Grapple bucket

Material bucket

Standard carriage

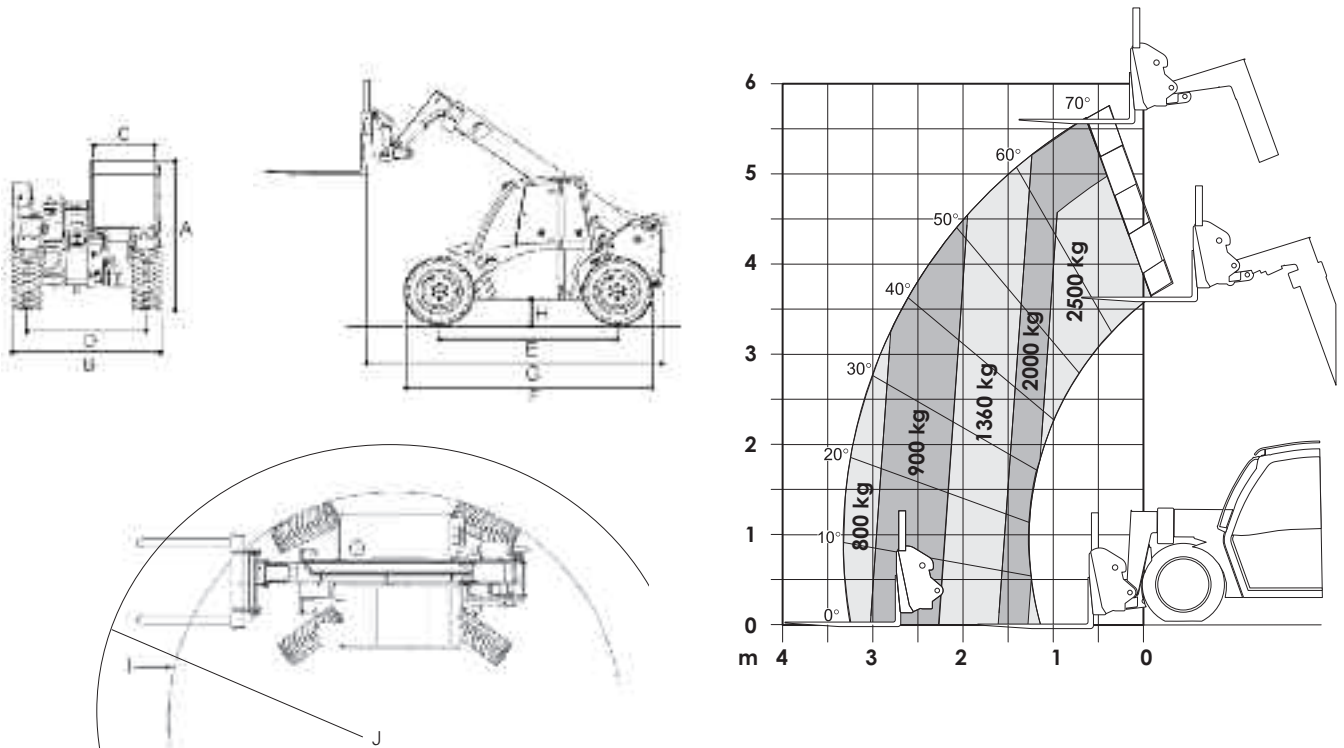
Universal skid-steer adapter

Lifting hook



## Dimensions

A. Overall Height .....	1.90 m
B. Overall Width .....	1.80 m
C. Width of Cab .....	0.87 m
D. Track width .....	1.45 m
E. Wheelbase .....	2.29 m
F. Length at front wheels .....	3.28 m
G. Length at fork-holder plate .....	3.65 m
H. Ground Clearance .....	0.27 m
I. Turning radius over tyres .....	3.30 m
J. Turning radius at fork .....	4.35 m
Gross Vehicle Weight (closed cab CE version) .....	4,920 kg



JLG is continually researching and developing products and reserves the right to make modifications without prior notice. All data in this document is indicative. Certain options or country standards will increase weight. Specifications may change to meet country standards or with the addition of optional equipment.

**JLG International**  
 Polaris Avenue 63  
 2132 JH Hoofddorp  
 The Netherlands  
 Tel: +31 (0)23 565 5665  
 Fax: +31 (0)23 557 2493  
 e-mail address: europe@jlg.com  
[www.jlgeurope.com](http://www.jlgeurope.com)

Printed in UK  
 PART NO.: TMH069-ENGLISH

