



www.doosan-iv.eu

7 Series Forklifts

Pneumatic Diesel 6 to 9 ton Series

EPA Tier IV / Euro Stage IV



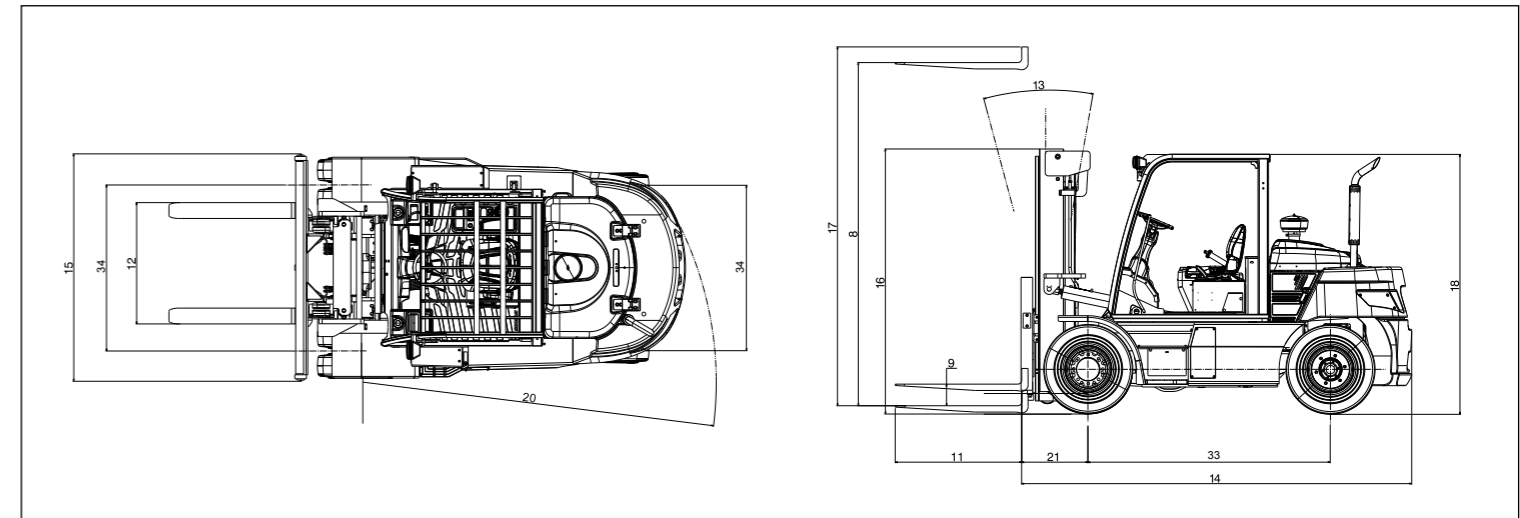
Lifting Your Dreams

GENERAL SPECIFICATIONS

CHARACTERISTICS				Tier IV / Stage IV			
1	Model			D6oS-7	D7oS-7	D8oS-7	D9oS-7
2	Capacity	at rated load center	kg	6,000	7,000	8,000	9,000
3	Load center	Distance	mm	600	600	600	600
4	Power type	Electric, Diesel, Gasoline, LP-Gas		Diesel	Diesel	Diesel	Diesel
5	Operator type	Stand-on, driver-seated		Driver-seated	Driver-seated	Driver-seated	Driver-seated
6	Tire type	C=cushion, P=pneumatic, E=Solid		P/E	P/E	P/E	P/E
7	Wheels (x=driven)	Number, front/rear		x 4/2	x 4/2	x 4/2	x 4/2
DIMENSIONS							
8	Maximum fork height	with STD 2-stage mast	mm	3,000	3,000	3,100	3,100
9	Free lift		mm	205	205	215	215
10	Fork carriage	ISO class		V	V	V	V
11	Forks	Thickness x Width x Length	mm	60x180x1,200	60x180x1,200	70x180x1,200	70x180x1,200
12		Fork spacing (min X Max)	mm	410x2,032	410x2,032	410x2,092	410x2,092
13	Tilt of mast	Forward / Backward	deg	15/10	15/10	15/10	15/10
14	Overall dimensions	Length to forkface	mm	3,618	3,697	4,014	4,040
15		Width	mm	2,108	2,108	2,230	2,230
16		Mast lowered height	mm	2,500	2,500	2,835	2,835
17		Mast extended height	mm	4,340	4,340	4,375	4,375
18		Overhead guard height (Cabin)	mm	2,468 (2,535)	2,468 (2,535)	2,673 (2,771)	2,673 (2,771)
19		Seat height	mm	1,455	1,455	1,526	1,526
20	Minimum outside turning radius		mm	3,380	3,430	3,650	3,680
21	Load moment constant		mm	632	632	725	725
21a	90° stacking aisle (add load length & clearance)		mm	4,012	4,062	4,375	4,405
PERFORMANCE							
22	Speed	Travel, loaded/unloaded	km/h	30/33.6	29.1/33.3	30.9/36.5	30.2/36.4
23		Lift, loaded/unloaded	mm/s	480/540	430/470	420/470	410/470
24		Lowering, loaded/unloaded	mm/s	500/450	500/450	500/450	500/450
25	Drawbar pull	at 1.6 km/h, loaded	kg	6,196	6,153	5,768	5,754
26	Gradeability	at 1.6 km/h, loaded	%	45	39	31	28
WEIGHT							
27	Total weight	Unloaded	kg	9,093	9,783	11,625	12,275
28	Axle load	with load, front/rear	kg	13,416/1,677	14,786/1,997	17,335/2,290	18,785/2,490
29		without load, front/rear	kg	4,181/4,912	4,031/5,752	5,095/6,530	5,015/7,260
CHASSIS							
30	Tires	Number of front/rear		4/2	4/2	4/2	4/2
31		Size, front		8.25x15-14PR	8.25x15-14PR	9.00x20-14PR	9.00x20-14PR
32		Size, rear		8.25x15-14PR	8.25x15-14PR	9.00x20-14PR	9.00x20-14PR
33	Wheel base		mm	2,300	2,300	2,500	2,500
34	Tread	Front/Rear	mm	1,584/1,550	1,584/1,550	1,668/1,750	1,668/1,750
35	Ground clearance	loaded, at the lowest point	mm	196	196	258	258
36		loaded, at center of wheelbase	mm	225	225	329	329
37	Brakes	Service brake		Disc	Disc	Disc	Disc
38		Parking brake		Rachet	Rachet	Rachet	Rachet
DRIVE							
39	Battery	Voltage/Capacity	V/AH	24/75	24/75	24/75	24/75
40	Engine	Manufacturer/Model		DI/D34	DI/D34	DI/D34	DI/D34
41		Rated output (at rpm)	kW/rpm	80.9/2,300	80.9/2,300	80.9/2,300	80.9/2,300
42		Max. Torque	Nm/rpm	375/1,600	375/1,600	375/1,600	375/1,600
43		Cycle/Cylinders/Displacement	cc	4/4/3,409	4/4/3,409	4/4/3,409	4/4/3,409
44		Transmission	Type		Full Auto	Full Auto	Full Auto
45		Number of speeds forward/reverse		3/3	3/3	3/3	3/3
46	Operating pressure	System/Attachment	bar	190/140	210/140	220/140	235/140

Note : Specification values quoted in this specification sheet have been rounded. Performance may vary due to operation conditions. Products and specifications are subject to improvement and change without prior notices.

DIMENSIONAL DRAWING



MAST SPECIFICATIONS and RATED CAPACITIES

D6oS-7

Mast type	Maximum Fork Height	Maximum Lowered Height	Fully Extended Height	Free Lift	Rated Load Capacities		
					D6oS-7		
					Tilt Angle		Load Capacities
					Double Pneumatic		Double Pneumatic
					FWD	BWD	LC600mm
	mm	mm	mm	mm	deg	deg	kg
STD	3,000	2,495	4,275	205	15	10	6,000
	3,500	2,745	4,775	205	15	10	6,000
	3,700	2,845	4,975	205	15	10	6,000
	4,000	2,995	5,275	205	15	10	6,000
	4,500	3,345	5,775	205	15	10	6,000
	5,000	3,595	6,275	205	15	10	6,000
	5,500	3,845	6,775	205	15	10	5,875
FFT	4,550	2,540	5,570	1,580	15	10	5,900
	5,000	2,690	6,020	1,730	15	10	5,725
	5,600	2,890	6,620	1,930	15	10	5,500
	6,050	3,040	7,070	2,080	15	10	5,300

D7oS-7

Mast type	Maximum Fork Height	Maximum Lowered Height	Fully Extended Height	Free Lift	Rated Load Capacities		
					D7oS-7		
					Tilt Angle		Load Capacities
					Double Pneumatic		Double Pneumatic
					FWD	BWD	LC600mm
	mm	mm	mm	mm	deg	deg	kg
STD	3,000	2,495	4,275	205	15	10	7,000
	3,500	2,745	4,775	205	15	10	7,000
	3,700	2,845	4,975	205	15	10	7,000
	4,000	2,995	5,275	205	15	10	7,000
	4,500	3,345	5,775	205	15	10	7,000
	5,000	3,595	6,275	205	15	10	7,000
	5,500	3,845	6,775	205	15	10	7,000
FFT	4,550	2,540	5,570	1,580	15	10	7,000
	5,000	2,690	6,020	1,730	15	10	7,000
	5,600	2,890	6,620	1,930	15	10	6,725
	6,050	3,040	7,070	2,080	15	10	6,500

Note : Mast Specifications & Rated Capacities are based on standard chassis with dual pneumatic tire and without side shifter.

D8oS-7

Mast type	Maximum Fork Height	Maximum Lowered Height	Fully Extended Height	Free Lift	Rated Load Capacities		
			With Load Backrest	With Load Backrest	D8oS-7		
					Tilt Angle		Load Capacities
					Double Pneumatic		Double Pneumatic
FWD	BWD	LC600mm					
	mm	mm	mm	mm	deg	deg	kg
STD	3,100	2,835	4,375	215	15	10	8,000
	3,300	2,935	4,575	215	15	10	8,000
	3,600	3,085	4,875	215	15	10	8,000
	4,100	3,435	5,375	215	15	10	8,000
	4,600	3,685	5,875	215	15	10	8,000
	5,100	3,935	6,375	215	15	10	8,000
	5,600	4,185	6,875	215	15	10	8,000
FFT	4,350	2,630	5,625	1,420	15	10	8,000
	4,800	2,780	6,075	1,570	15	10	8,000
	5,400	2,980	6,675	1,770	15	10	8,000
	5,850	3,130	7,125	1,920	15	10	7,900

D9oS-7

Mast type	Maximum Fork Height	Maximum Lowered Height	Fully Extended Height	Free Lift	Rated Load Capacities		
			With Load Backrest	With Load Backrest	D9oS-7		
					Tilt Angle		Load Capacities
					Double Pneumatic		Double Pneumatic
FWD	BWD	LC600mm					
	mm	mm	mm	mm	deg	deg	kg
STD	3,100	2,835	4,375	215	15	10	9,000
	3,300	2,935	4,575	215	15	10	9,000
	3,600	3,085	4,875	215	15	10	9,000
	4,100	3,435	5,375	215	15	10	9,000
	4,600	3,685	5,875	215	15	10	9,000
	5,100	3,935	6,375	215	15	10	9,000
	5,600	4,185	6,875	215	15	10	9,000
FFT	4,350	2,630	5,625	1,420	15	10	9,000
	4,800	2,780	6,075	1,570	15	10	9,000
	5,400	2,980	6,675	1,770	15	10	9,000
	5,850	3,130	7,125	1,920	15	10	8,850

Note : Mast Specifications & Rated Capacities are based on standard chassis with dual pneumatic tire and without side shifter.

EUD7oS7-150720v2EN (July 2015)



Doosan Industrial Vehicle Europe nv

Europark-Noord 36A
9100 Sint-Niklaas
Belgium

Tel.: +32 3 760 09 87

Fax: +32 3 760 09 89

Website: www.doosan-iv.eu

AUTHORIZED DEALER