

## Features

- Lifting Height of up to 7.90 m
- Maximum capacity of 4000 kg
- Clear View cab provides all round vision
- Audio-visual Load Stability indicator
- Mechanical Quick-switch Coupler for Efficient attachment changes
- Four-wheel steering - Front wheel, Co-ordinated and crab.
- Powershift transmission
- Four wheel drive
- 45% gradeability.

## Performance

### Maximum Lift Capacity

4,000 kg

### Capacity at full height

4,000 kg

### Maximum Forward Reach

4.40 m

### Capacity at Maximum Forward Reach

1,500 kg

### Lifting Height

7.90 m

### Reach at Maximum Height

0.60 m

### Break-out force with standard bucket

70kN

### Towing Capacity

5,000 kg

### Carriage Rotation

142°

## Standard Specifications

### Engine

Perkins 1104D-44T, 74.5kw @ 2200 rpm.  
4.4 litre, turbocharged, liquid cooled  
EPA T3, EEC Stage IIIA compliant.

140L Fuel Tank

7.9L Engine Oil

19.7L Coolant

### Hydraulic System

Load Sensing Piston Type 132 L/min

160L Reservoir

### Transmission

Powershift, 4 forward & 3 reverse gears  
(optional 3 forward & 3 reverse gears)

### Drive

4x4

### Steering

4WS/Front Steer/Crab Steer

### Parking Brakes

Wet multi disc

## Accessories & Options

- Air-conditioning
- Work lights on Boom
- Front & Rear Cab work lights
- Rotating Beacon
- Radio
- Frame levelling
- Hydraulic Quick-switch Coupler

## Attachments

Pallet Forks and Carriages

Side-shift Carriage

Fork positioning Carriage

General Purpose Bucket

Digging Bucket

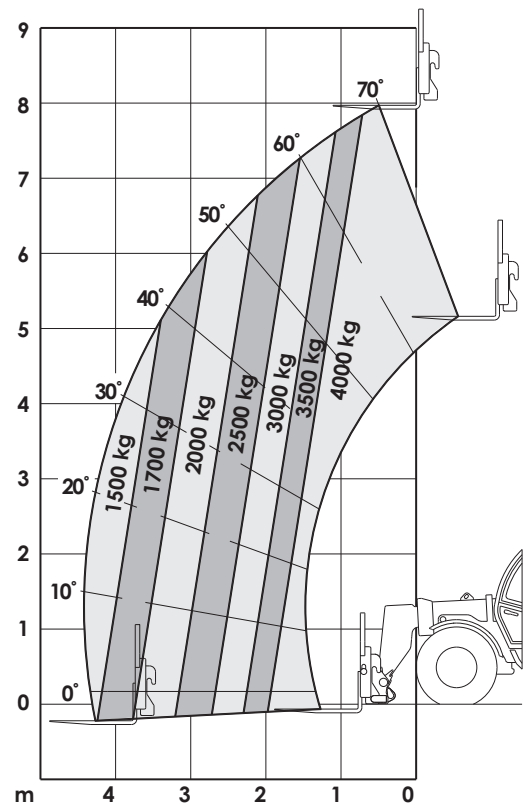
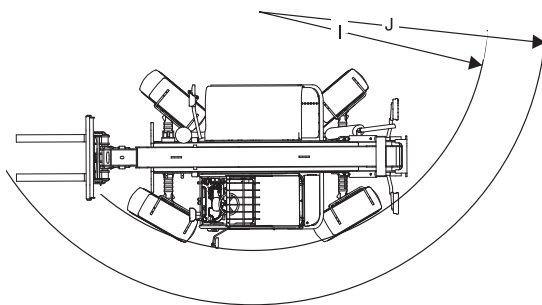
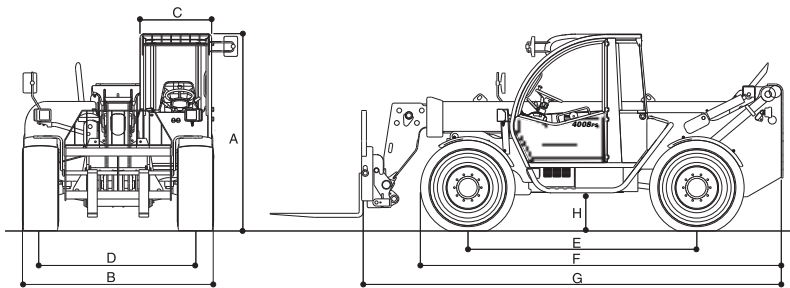
4-in-1 bucket

Truss Boom



## Dimensions

A. Overall Height .....	2.45 m
B. Overall Width .....	2.38 m
C. Width of Cab .....	0.89 m
D. Track width .....	1.92 m
E. Wheelbase .....	2.85 m
F. Length at front wheels .....	4.60 m
G. Length at fork-holder plate .....	5.30 m
H. Ground Clearance .....	0.42 m
I. Turning radius over tyres .....	3.80 m
J. Turning radius at fork .....	4.75 m
Gross Vehicle Weight .....	8,100 kg



Frame levelling device activated.  
Complies with EN1459 - Annex B

JLG is continually researching and developing products and reserves the right to make modifications without prior notice. All data in this document is indicative. Certain options or country standards will increase weight. Specifications may change to meet country standards or with the addition of optional equipment.

**JLG Industries Inc.**  
 Polaris Avenue 63  
 2132 JH Hoofddorp  
 The Netherlands  
 Tel: +31 (0)23 565 5665  
 Fax: +31 (0)23 557 2493  
 e-mail address: europe@jlg.com  
**www.jlg.com**  
 An Oshkosh Corporation Company

Printed in UK  
 FORM No.: TMH-0208-1000  
 PART NO.: TMH0064-ENGLISH

