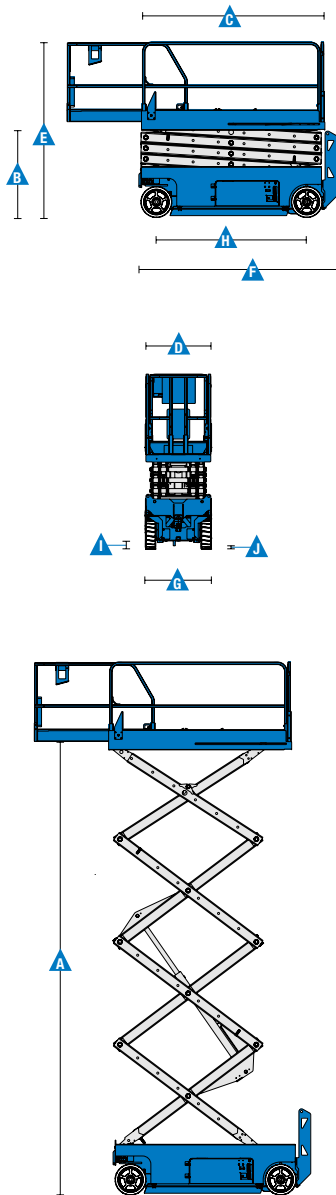


### Specifications



Models	GS™-4047	
--------	----------	--

Measurements	Metric	US
Working height maximum*	13.70 m	44 ft 11 in
<b>A</b> Platform height maximum w/load sense	11.70 m	38 ft 5 in
<b>B</b> Platform height - stowed	1.34 m	4 ft 5 in
<b>C</b> Platform length - outside	2.26 m	7 ft 5 in
extended	3.18 m	10 ft 5 in
Slide-out platform extension deck	0.91 m	3 ft
<b>D</b> Platform width - outside	1.15 m	3 ft 9.3 in
Guardrail height	1.10 m	3 ft 7 in
Toeboard height	0.15 m	6 in
<b>E</b> Height - stowed: folding guardrails	2.54 m	8 ft 4 in
rails lowered	1.88 m	6 ft 2
<b>F</b> Length - stowed	2.44 m	8 ft
- extended	3.36 m	11 ft
<b>G</b> Width	1.19 m	3 ft 11 in
<b>H</b> Wheelbase	1.85 m	6 ft 1 in
<b>A</b> Ground clearance - centre	0.10 m	4 in
<b>A</b> - with pothole guards deployed	1.9 cm	0.75 in

### Productivity

Max platform occupancy (indoor/outdoor) <sup>1</sup>	3/-	3/-
Lift capacity	350 kg	770 lbs
Drive height	Full height	
Drive speed - stowed	3.1 km/h	1.9 mph
Drive speed - raised	0.8 km/h	0.5 mph
Gradeability - stowed**	25%	25%
Turning radius - inside	zero	zero
Turning radius - outside	2.3 m	91 in
Raise/lower speed	71/41 sec	71/41 sec
Controls	proportional	proportional
Drive	dual front wheel	dual front wheel
Multiple disc brakes	dual rear wheel	dual rear wheel
Tyres solid non-marking	38 x 13 x 28 cm	15 x 5 x 11 in

### Power

Power source	24 V DC, 300 Ah (four 12 V, 150 Ah batteries in parallel series)	
Hydraulic system capacity	36 L	7.91 gal

### Sound & Vibration Levels

Sound pressure level (ground workstation)	< 70 dBA	< 70 dBA
Sound pressure level (platform workstation)	< 70 dBA	< 70 dBA
Vibration	<2.5 m/s <sup>2</sup>	<8 ft 2 in/s <sup>2</sup>

### Weight\*\*\*

CE base machine	3,221 kg	7,100 lbs
-----------------	----------	-----------

### Standards Compliance

EU Directives: 2006/42/EC - Machinery  
(harmonized standard EN280:2013); 2004/108/EC (EMC); 2006/95/EC (LVD)

<sup>1</sup> Indoor use only  
\* The metric equivalent of working height adds 2 m to platform height.  
\*\* Gradeability applies to driving on slopes. See Operator's Manual for details regarding slope ratings.  
\*\*\* Weight will vary depending on options and/or country standards.

### Features

#### Standard Features

##### Measurements

###### GS-4047

- 13.70 m (44 ft 11 in) working height
- Up to 350 kg (770 lb) lift capacity

##### Productivity

- Folding guardrails with full height swing gate
- Smart Link™ control system (joystick, 2 lift speeds & 2 selectable proportional drive speeds, user-friendly diagnostics)
- Rear recessed charger receptacle
- Platform control with battery charge indicator
- On-board diagnostic system
- AC power to platform
- Lanyard attachment points
- Manual platform lowering valve
- Emergency stop at both platform and ground controls
- Rear wheel multiple disc brakes
- Front wheel hydraulic dynamic braking
- Manual brake release
- Swing-out component trays
- Pothole guards
- Tilt level sensor with audible alarm
- Descent alarm
- Flashing beacons
- Electronic horn
- Hour meter
- Certified load sensor
- Telematics-Ready Connector

##### Power

- 24 V DC battery pack
- Universal 20 amp smart charger

#### Easily Configured To Meet Your Needs

##### Platform

- 2.26 x 1.15 m (7 ft 5 in x 3 ft 9.3 in) steel platform
- 0.91 m (3 ft 9.3 in) extension deck

##### Power

- 24 V DC, 300 Ah (four 12 V 150 Ah batteries in parallel series)

##### Drive

- Dual front wheel drive

##### Tyres

- Solid non-marking

#### Options & Accessories

##### Productivity Options

- Air line to platform
- Power to platform (incl. plug, socket and ground fault interrupt leakage on request)
- Biodegradable hydraulic oil<sup>(2)</sup>
- Track & Trace<sup>(1)</sup> (GPS unit providing machine location & operating information)
- Motion alarm
- Automotive-style horn

##### Power Options

- Low-temperature cut-out module<sup>(3)</sup>



<sup>(1)</sup> Includes a first 2 years subscription

<sup>(2)</sup> Available on selected models only. See your Genie representative for further information.

<sup>(3)</sup> For outdoor models only - not necessary for indoor models.

### United Kingdom

The Maltings, Wharf Road, Grantham NG31 6BH, T: +44 800 988 3739 (toll free), Fax +44 (0)1476 584334, Email AWP-InfoEurope@terex.com  
Visit [www.genielift.co.uk/locations](http://www.genielift.co.uk/locations) to view our global locations list.

### Worldwide Manufacturing And Distribution

Australia · Brazil · Caribbean · Central America · China · France · Germany · Italy · Japan · Korea · Mexico · Russia · Southeast Asia · Spain · Sweden · United Arab Emirates · United Kingdom · United States

Product specifications and prices are subject to change without notice or obligation. The photographs and/or drawings in this document are for illustrative purposes only. Refer to the appropriate Operator's Manual for instructions on the proper use of this equipment. Failure to follow the appropriate Operator's Manual when using our equipment or to otherwise act irresponsibly may result in serious injury or death. The only warranty applicable to our equipment is the standard written warranty applicable to the particular product and sale and we make no other warranty, express or implied. Products and services listed may be trademarks, service marks or trade names of Terex Corporation and/or their subsidiaries in the USA and many other countries. Genie is a registered trademark of Terex South Dakota, Inc. © 2015 Terex Corporation.

