

# Model 3507H TELEHANDLER



## Performance

Rated capacity	3,500 kg
Maximum lift height	6.90 m
Load at max height	2,600 kg
Load at max reach	1,350 kg
Lift speed (boom retracted)	
Up	6
Down	4
Boom speed (extended/retracted)	
Extended	6
Retracted	4
Top travel speed	32 km/h
Engine	74.9 kW
Outside turning radius (over tyres)	3.89 m
Operating weight (no attachment)	8,096 kg

## Standard Specifications

### Engine

Make and Model	Deutz TCD 2012 - L04 V02
No. of cylinders	4
Displacement	4 L
Standard engine gross power	74.9 kW
Maximum Torque @ 2100 rpm	340 nM
Fuel Tank Capacity	102 L

### Transmission

- 2 speed forward/reverse hydrostatic
- 4-wheel drive

### Axles

- Carraro axles
- Fixed front limited slip differential
- Rear oscillating axle

### Brakes

- Oil immersed disc brakes on front and rear axle
- Wet multi disc with separate parking brake

### Tyres

- Standard 405/70-20 MPT04
- Optional (more available) 400/70-24 Michelin XMCL

### Cab

- EROPS and FOPS fully glazed all weather cab
- 2 way adjustable mechanical suspension seat

### Steering 4-Wheel

- Power steering with steering wheel spinner
- Two wheel/four wheel/crab steer with rear wheel assisted alignment

### Instruments

- Engine glow start assist
- Fuel gauge
- Hour- and tachometer
- Telescope function reconfiguration
- Battery isolator switch
- CE marking



### Hydraulic System-Implement

Capacity	95 L
----------	------

- Gear Pump
- Maximum pump flow is 102 L/min

### Accessories & Options

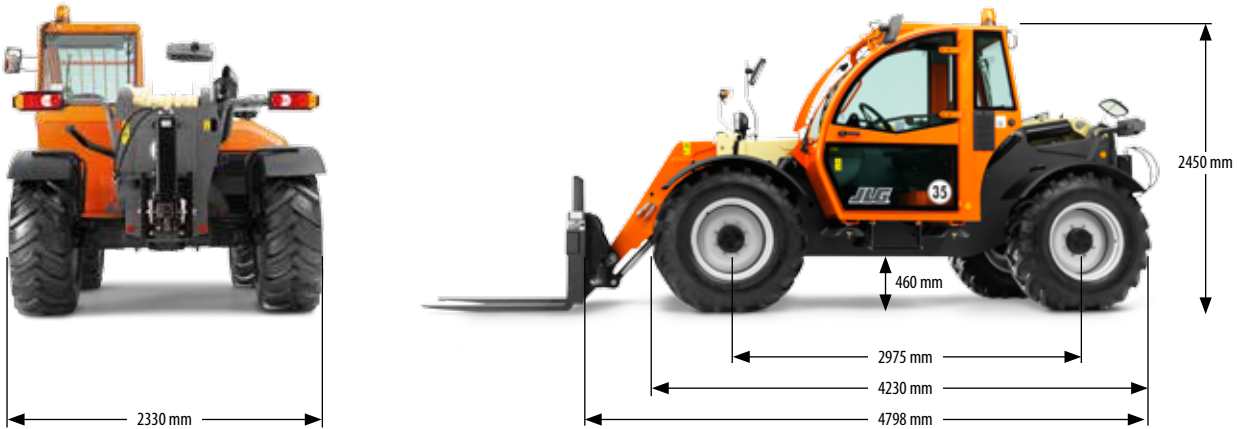
- Worklights boom (1st section)
- Rear retrieval hitch
- Roof window screen guard
- Air conditioning
- Wide range of hitches, couplers, carriages and tyres
- Front window screen guard
- Rotating Beacon
- Boom prop

### Attachments

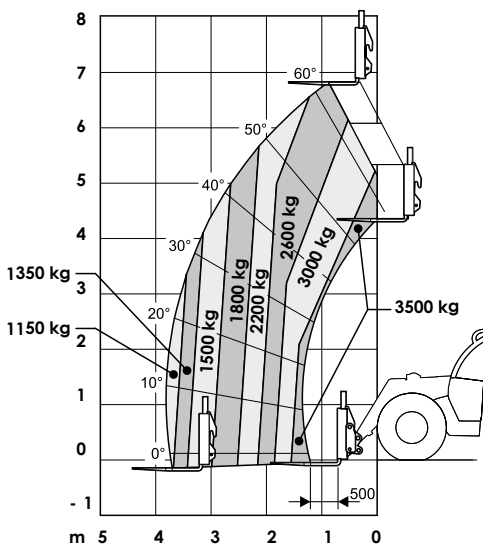
Standard:	
Standard carriage	4000 kg
Standard Coupler	Mechanical quick switch coupler
Optional:	
Side shift carriage	4000 kg
Fork positioning carriage	1225 mm
Side shift pallet forks	1200 mm x 50 mm x 100 mm
Pallet fork (4000 kg)	1200 mm x 60 mm x 100 mm
Hitches	Rear hydraulic pick up hitch
Couplers	Hydraulic quick switch coupler JLG, JCB, Manitou Manual coupler JLG, JCB, Manitou
Concrete mixer bucket	500 l capacity, 1100 kg
Multi-Purpose bucket with grab	2.4 m, 1.0 m <sup>3</sup>
Light Material Bucket	2.4 m, 2.0 m <sup>3</sup>
Digging Bucket	2.4 m, 1.0 m <sup>3</sup>
Fork Mounted Lifting Hook	3500 kg
Truss Boom	3.4 m, 1000 kg 3.6 m, 650 kg

# Model 3507H TELEHANDLER

## Dimensions



## Load Chart and Dimensions



### IMPORTANT

All dimensions are approximate. Rated lift capacities shown are with machine equipped with carriage and pallet forks. The machine must be level on a firm surface with undamaged, properly inflated tyres. Machine specifications and stability are based on rated lift capacities at specific boom angles and boom lengths. (If specifications are critical, the proposed application should be discussed with your dealer.) DO NOT exceed rated lift capacity loads, as unstable and dangerous machine conditions will result. DO NOT tip the machine forward to determine the allowable load.

Use only JLG approved attachments with proper material handler model/attachment load capacity charts displayed in the operator's cab.

Due to continuous product improvements, JLG Industries reserves the right to make specification and/or equipment changes without prior notification.



### JLG Industries, Inc.

Polaris Avenue 63  
2132 JH Hoofddorp  
The Netherlands  
Tel: +31 (0)23 565 5665  
Fax: +31 (0)23 557 3750  
[www.jlgeurope.com](http://www.jlgeurope.com)

An Oshkosh Corporation Company