

L213 L215 L218 L220 L225 L230
C227 C232 C238

200 SERIES SKID STEERS LOADERS/COMPACT TRACK LOADERS

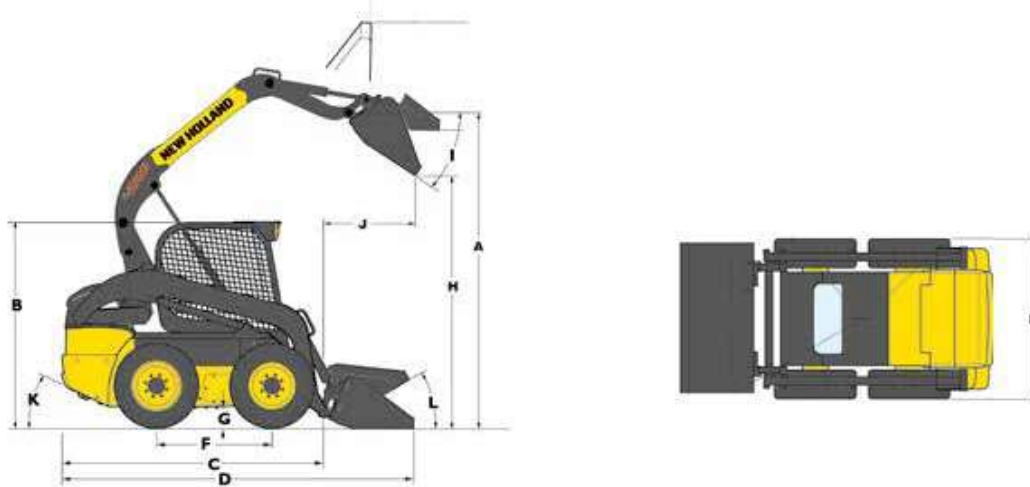


	L213	L215	L218	L220	L225	L230
ENGINE POWER	49 hp	60 hp	60 hp	60 hp	82 hp	90 hp
OPERATING WEIGHT	2300 kg	2430 kg	2690 kg	2930 kg	3580 kg	3765 kg
RATED OPERATING CAPACITY (@50% OF TIPPING LOAD)	590 kg	680 kg	818 kg	905 kg	1135 kg	1360 kg

	C227	C232	C238
ENGINE POWER	74 hp	82 hp	90 hp
OPERATING WEIGHT	3750 kg	4370 kg	4581 kg



DIMENSIONS



		L213	L215	L218	L220
A - Height to Bucket Hinge Pin	mm	2.845	2.845	3.048	3.073
B - Height to Top of ROPS	mm	1.919	1.919	1.974	1.998
C - Length without attachment	mm	2.435	2.435	2.685	2.685
D - Length with bucket *	mm	3.028	3.028	3.352	3.338
E - Overall Width	mm	1.518	1.518	1.678	1.755
F - Wheelbase	mm	941	941	1.128	1.128
G - Ground Clearance	mm	178	178	178	203
H - Dump height *	mm	2.246	2.246	2.377	2.402
I - Dump Angle	°	40	40°	52°	52°
J - Dump Reach @ Max Height	mm	469	469	783	758
Dump Reach @ Max Height with LPE Bucket	mm	675	675	946	921
K - Angle of Departure	°	22	22	23	25
L - Rollback Angle (Bucket on Ground)	°	26	26	35	34

*With D&F Bucket L230 equipped with 10x16.5 tyres

SPECIFICATIONS

		L213	L215	L218	L220
PERFORMANCE SPECS					
Rated Operating Capacity 50%	kg	590	680	818	905
ROC with counterweights 50%	kg	635	725	863	950
Tipping Load	kg	1.179	1.361	1.633	1.814
Lift Cylinder Breakout Force *	kN	13.0	14.0	11.7	15.3
Bucket Cylinder Breakout Force *	kN	18.6	18.6	24.7	32.5
ENGINE					
Engine Brand		ISM	ISM	ISM	ISM
Displacement	l	2.2	2.2	2.2	2.2
Horsepower	hp	49 hp @ 2.800 rpm	60 hp @ 2.800 rpm	60 hp @ 2.800 rpm	60 hp @ 2.800 rpm
Peak torque	Nm	143 Nm @ 1.750 rpm	171 Nm @ 1.750 rpm	171 Nm @ 1.800 rpm	171 Nm @ 1.800 rpm
TRAVEL SPEED					
Low Range	km/h	12.7	12.7	12.7	12.7
High Range (Optional)	km/h	NA	NA	18.0	18.0
HYDRAULIC SYSTEM					
Pump flow	LPM	59	59	72	72
Optional high flow	LPM	N/A	N/A	109	109
Relief Pressure	bar	210	210	210	210
WEIGHTS					
Operating Weight (with GP bucket)	kg	2.300	2.430	2.690	2.930
Shipping Weight	kg	2.160	2.300	2.550	2.795
SERVICE CAPACITY					
Fuel Tank	l	60.5	60.5	75.5	75.5

* Breakout forces estimated considering both tip and hydraulic limits.